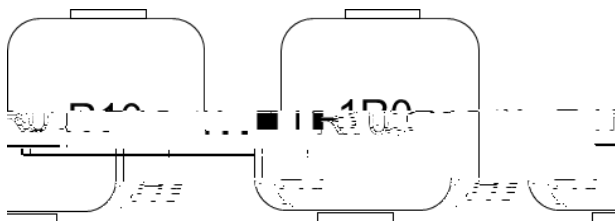
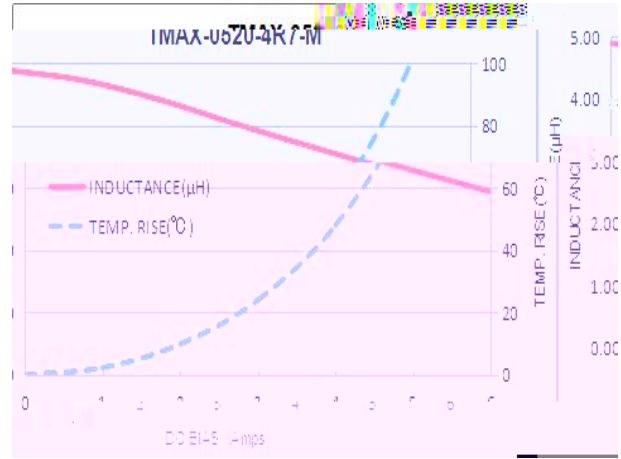
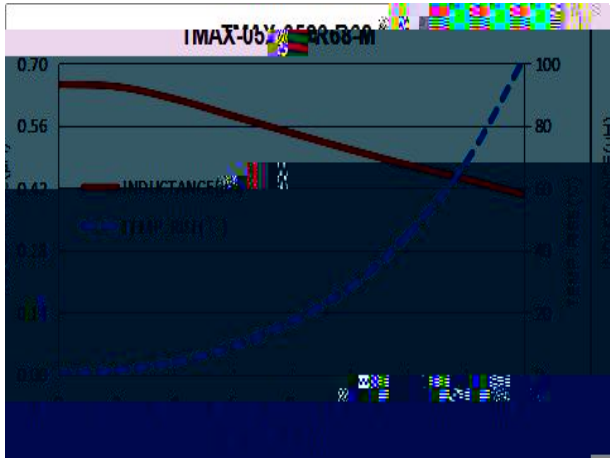


- 
- 



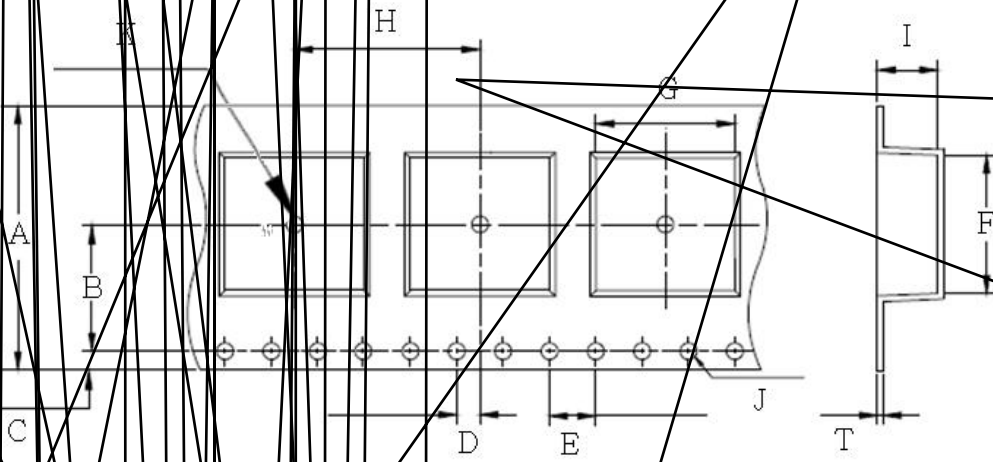
	$\mu$					

: ( ),  
 ( )



	±	
	± °C ±	
		±

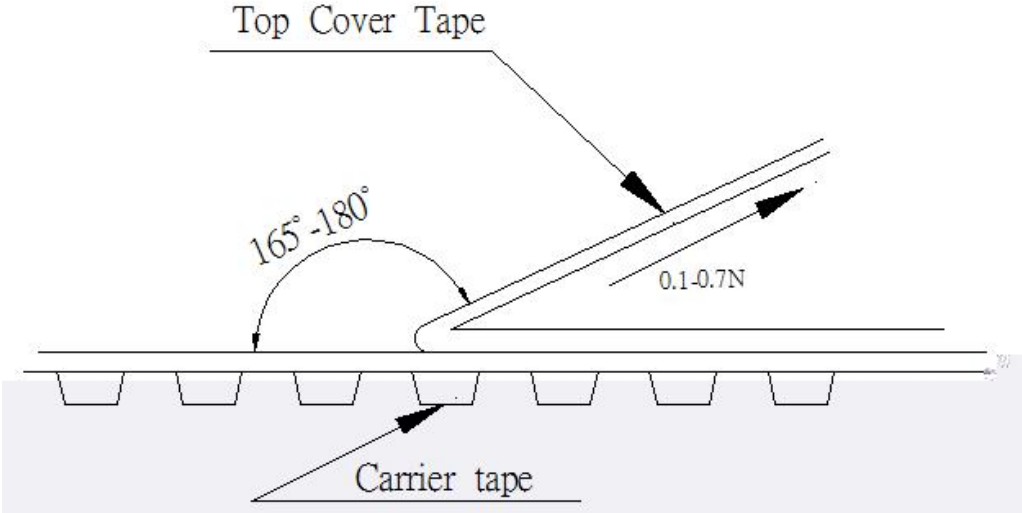
	$\pm$ $\pm$ $\rightarrow$ $\rightarrow$ $\pm$ $\pm$ $\rightarrow$	
		$\pm$
		$\pm$
		$\pm$
		$\pm$
		$\pm$

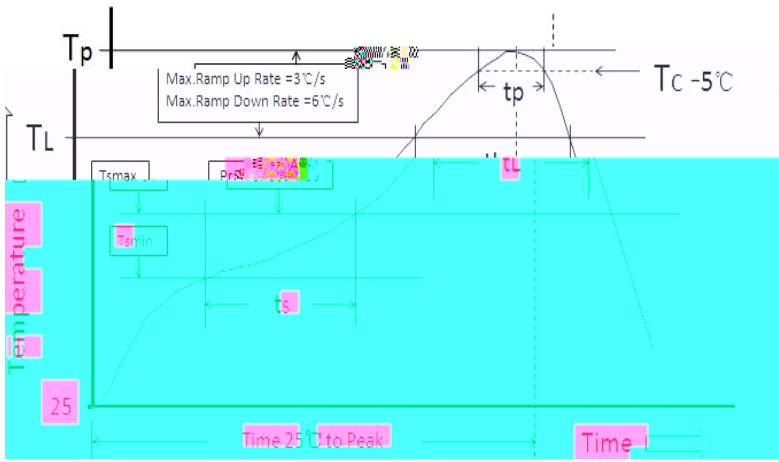


±	±	±	±	±	±	
±	±	±	±	±	±	

±	±	

- 
- 





	<	≡
<	°C	°C
≡	°C	°C

	<		
<	°C	°C	°C
	°C	°C	°C
	°C	°C	°C

	°C	°C
	°C	°C
	°C	°C
	°C	°C
°C		
	°C	°C
°C		



●

●  
●

✓  
✓  
✓  
✓  
✓

✓  
✓  
✓  
✓  
✓

➤

➤  
✓  
✓

✓  
✓

➤

➤

