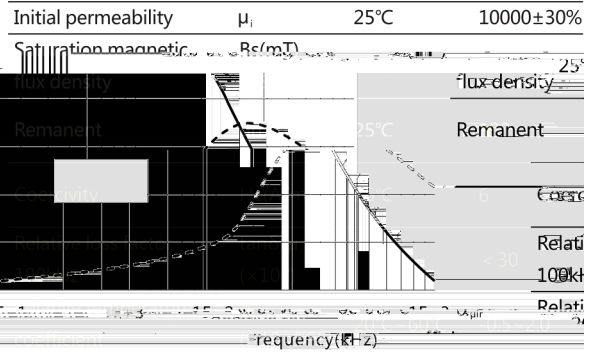
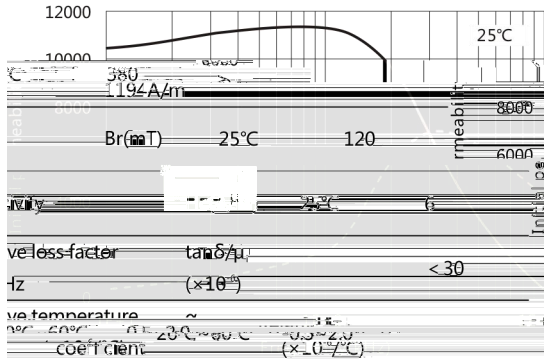
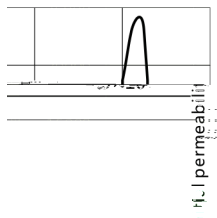


μ' (μ'')-Frequency



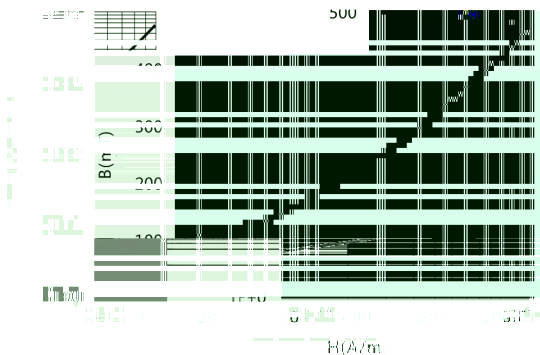
μ -Temperature



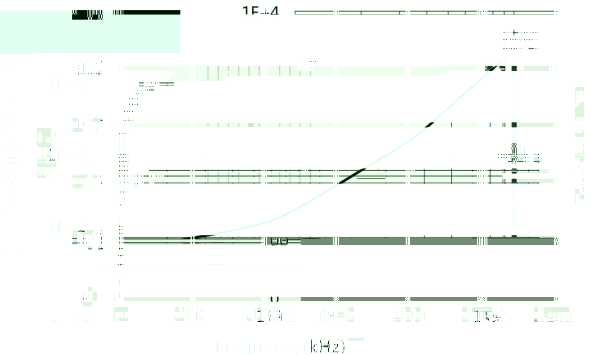
Curie temperature T_c (°C)	≥ 125	25000
Electrical resistivity ρ (Ω·m)	0.2	20000

Test core : Toroid (mm)
 OD : 18
 ID : 8

B-H

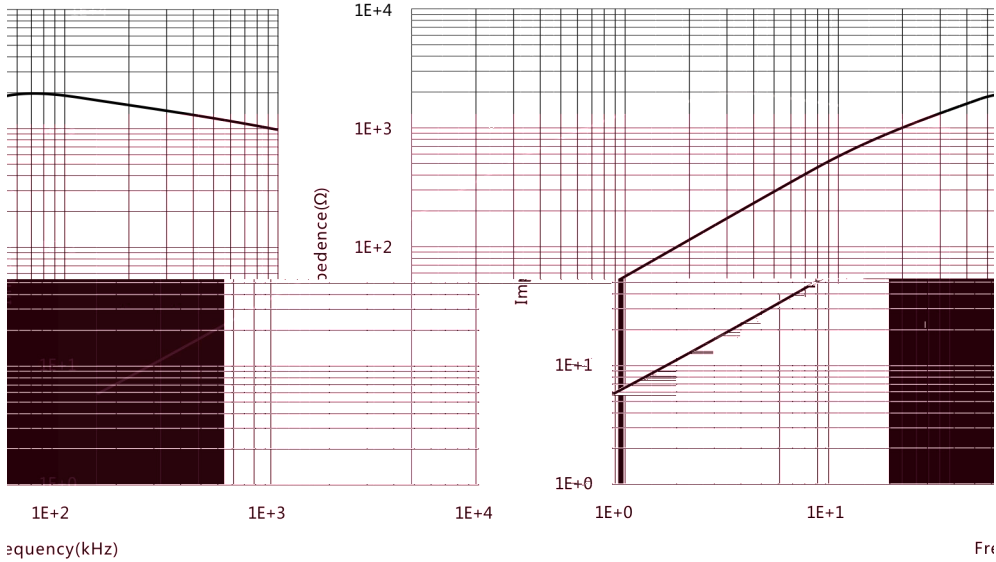


$\tan\delta/\mu$ -Frequency



Z-Frequency

N=10TS ϕ 0.35mm T=25°C



Temperature

H=1194A/m

Bs-T

