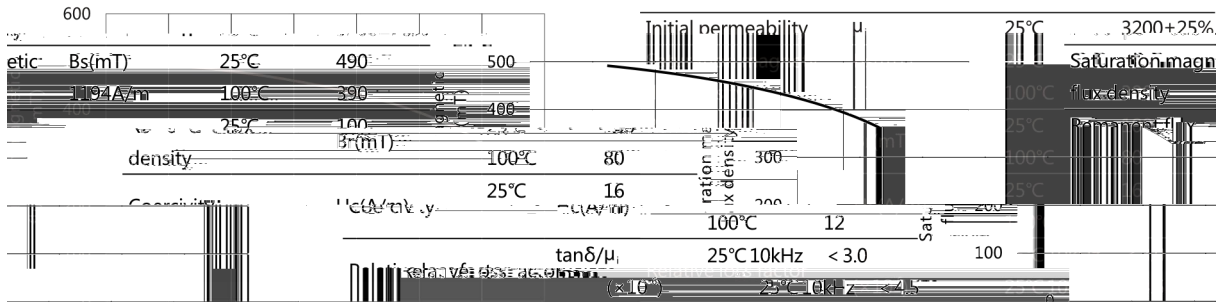
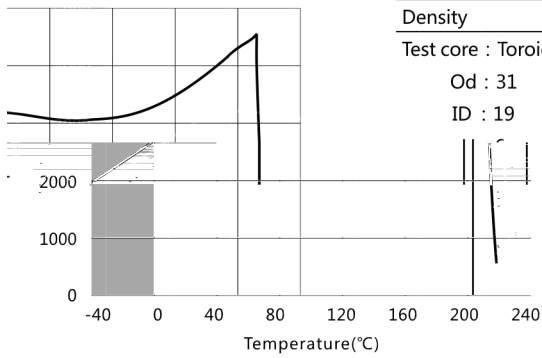


Bs-Temperature



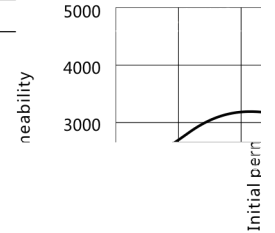
Initial permeability μ_i	25°C	3200+25%
Core loss $P_{cv}(kW/m^3)$	25°C	380
	100kHz 200mT 100°C	660
Curie temperature $T_c(°C)$		≥ 280
Electrical resistivity $\rho(\Omega\cdot m)$		1
Density $d(kg/m^3)$		4.8×10^3

μ -Temperature

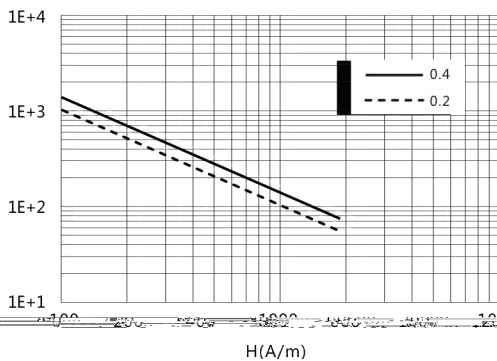


Test core : Toroid(mm)

Od : 31
ID : 19



Hdc Limit- μ_e



B-H

